

DELUXX HP

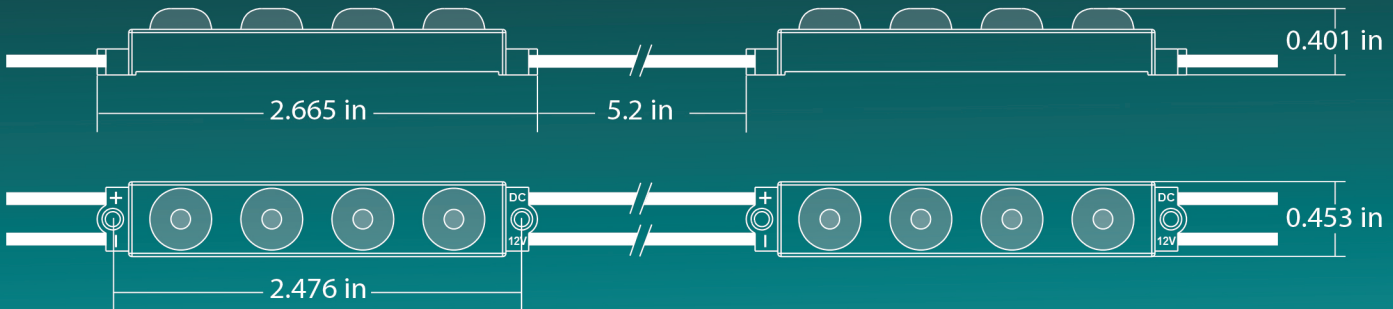


- Ideal for**
Boxes & Letters
- Optimal Depth**
3-12 inches
- Module Consumption**
0.72 Watts
- High Brightness**
123 Lumens
- Beam Angle**
160°
- Number of modules**
1.5 per foot
- Waterproof**
IP68
- Long Life Span**
80,000 Hours
- Max. Load**
75 Per 60W Power Supply

Excellent module efficacy 170 lm/w

| | | | | | | | | |
|---------------------------------|-----|-----|---|----|-------|-------|------|-----|
| Recommended Depth (inches) | 3 | 4 | 5 | 6 | 7 | 8 | 9 | 10+ |
| Distance Between Rows (inches)* | 4-5 | 6-7 | 8 | 10 | 10-12 | 10-12 | 8-10 | 8 |

* Measurements tested with acrylic face. May vary with thickness of material.



| Product Code | Color | Lumens / Module | Watts / Module | Max. load for 60W 12V 5A, Class 2 | Operating Temperature | Warranty | Waterproof Rating | Max Modules in Serie |
|----------------------|--------------|-----------------|----------------|-----------------------------------|-----------------------|----------|-------------------|----------------------|
| GL-EV7-072WHP-160-65 | White 6500K* | 123 | 0,72W | 75 | -40° C to 60° C | 5 years | IP 68 | 30 |

*White 7200K optional



LM79

LM80

